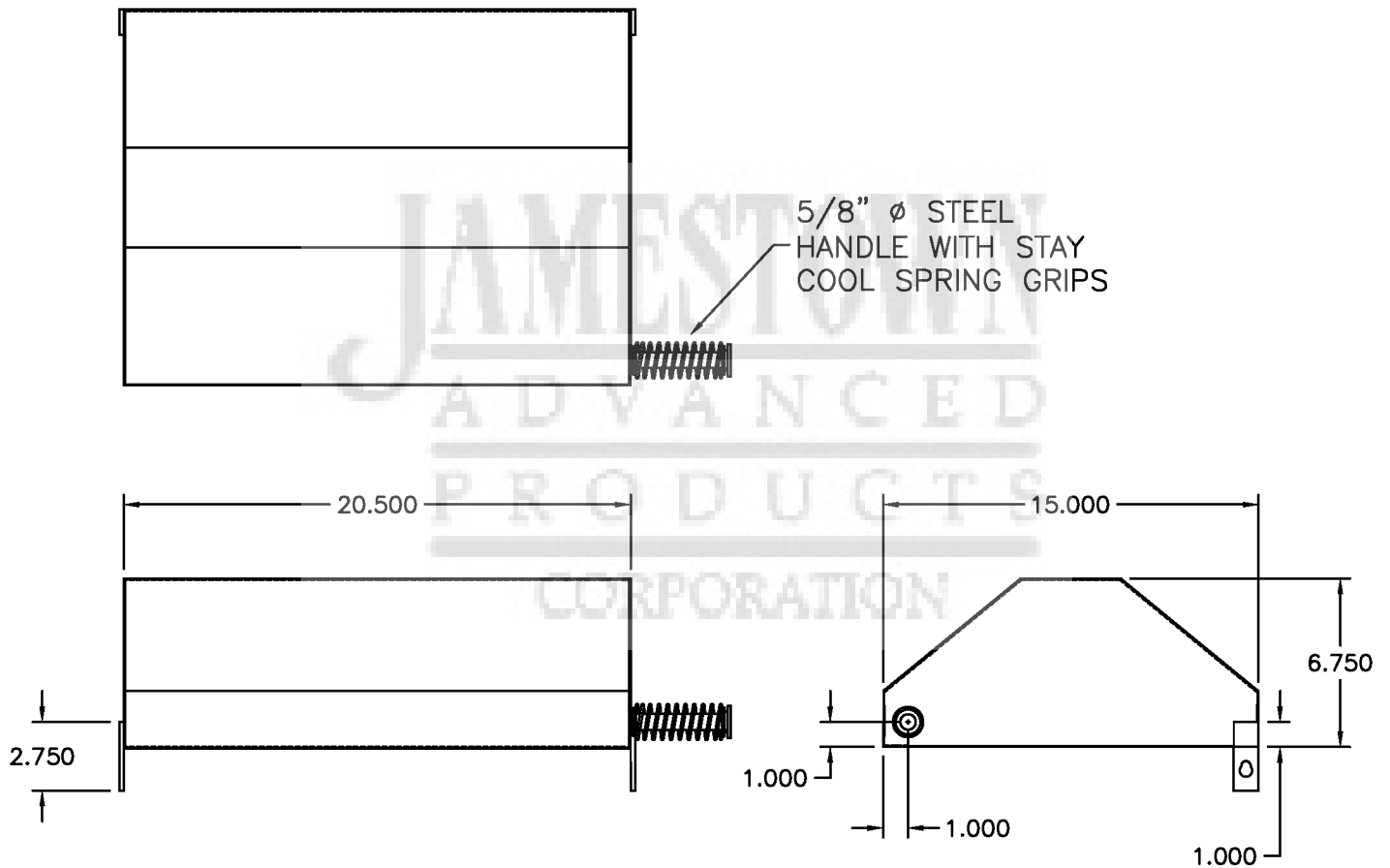


APPROX. WEIGHT: 13 LBS



CUSTOMER APPROVAL :

DATE :

JAMESTOWN
ADVANCED
PRODUCTS
CORPORATION

THIS DRAWING, WHICH CONTAINS PROPRIETARY INFORMATION, IS THE PROPERTY OF JAMESTOWN ADVANCED PRODUCTS CORPORATION. IT SHALL NOT BE REPRODUCED IN ANY MANNER NOR DISCLOSED TO THIRD PARTIES WITHOUT WRITTEN PERMISSION OF JAMESTOWN ADVANCED PRODUCTS CORPORATION.

PRODUCT PART NUMBER : 11568

PRODUCT DESCRIPTION :
STEEL COVER FOR STANDARD PARK GRILL

DATE : 6 - 28 - 00

REV. NO.

2855 GIRTS ROAD
JAMESTOWN, NY 14701

PHONE 800-452-0639 -- FAX 716-483-3406 -- WWW.JAMESTOWNADVANCED.COM