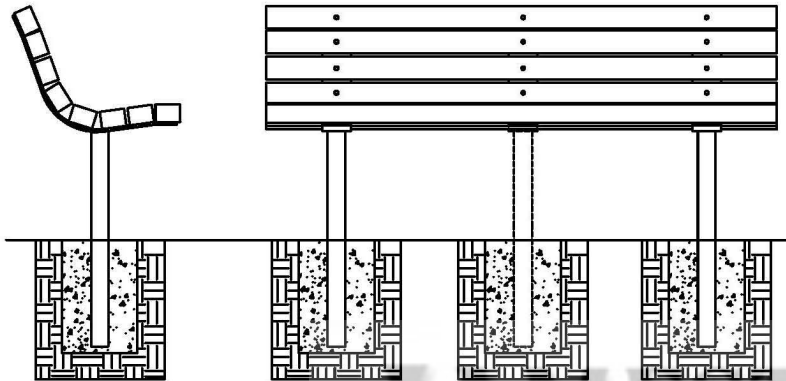


ALL LUMBER AND RECYCLED PLASTIC LUMBER
WILL BE 3" X 4" NOMINAL SIZE

BENCHES WILL COME IN 6 FT. & 8 FT. LENGTHS

FRAMES COME WITH THE OPTION OF GALVANIZED
COATING OR BLACK POWDER COATING

SEE PAGE 2 FOR ORDER SPECIFICATIONS

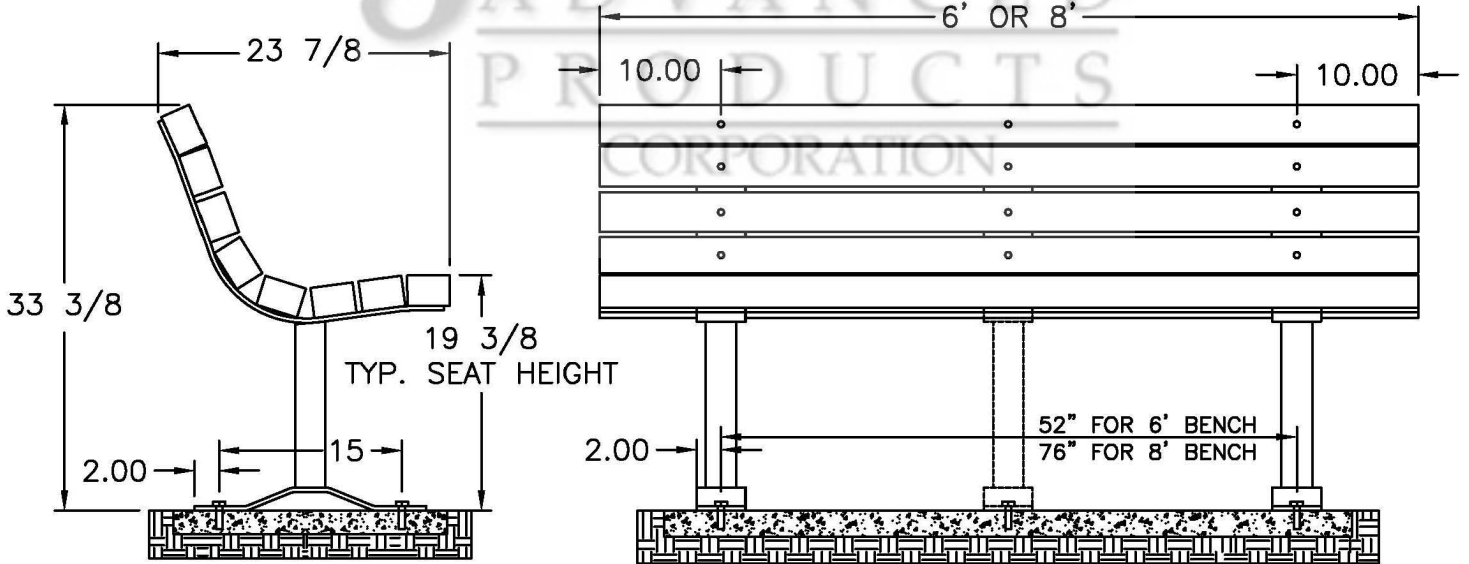


ALL SEAT BRACKETS AND FOOT
MOUNTING BRACKETS ARE
3/8" X 4" STEEL BAR STOCK


POSTS ARE 2 1/2" SQUARE TUBE

NOTE: CENTER FRAME IS
REQUIRED WITH RECYCLED
PLASTIC LUMBER

INGROUND MOUNT FRAMES SHOULD BE BURIED IN SUFFICIENT AMOUNT OF CONCRETE
TO SECURELY HOLD UNIT IN PLACE FOR INTENDED USE AND ENVIRONMENTAL
CONDITIONS



FRAMES SHOULD BE ANCHORED ON A
CONCRETE PAD PROVIDED BY THE CUSTOMER

CUSTOMER APPROVAL :		DATE :
	<small>THIS DRAWING, WHICH CONTAINS PROPRIETARY INFORMATION, IS THE PROPERTY OF JAMESTOWN ADVANCED PRODUCTS CORPORATION. IT SHALL NOT BE REPRODUCED IN ANY MANNER NOR DISCLOSED TO THIRD PARTIES WITHOUT WRITTEN PERMISSION OF JAMESTOWN ADVANCED PRODUCTS CORPORATION.</small>	DATE : 10-23-00
	PRODUCT PART NUMBER : 11641	REV. NO.
	PRODUCT DESCRIPTION : CONTOUR BENCH PAD MOUNT OR INGROUND MOUNT	2855 GIRTS ROAD JAMESTOWN, NY 14701
PHONE 800-452-0639 -- FAX 716-483-5398 -- WWW.JAMESTOWNADVANCED.COM		