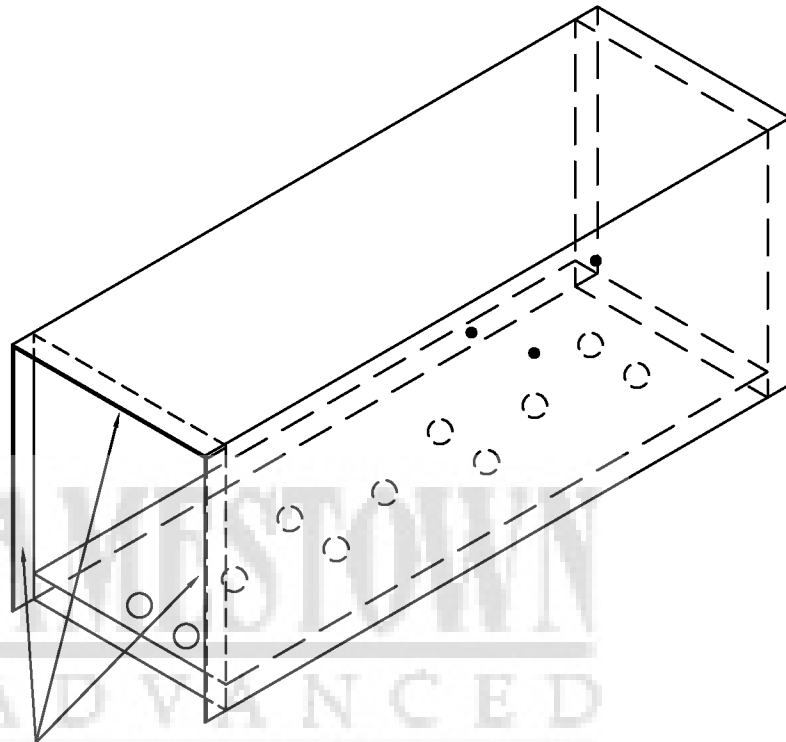


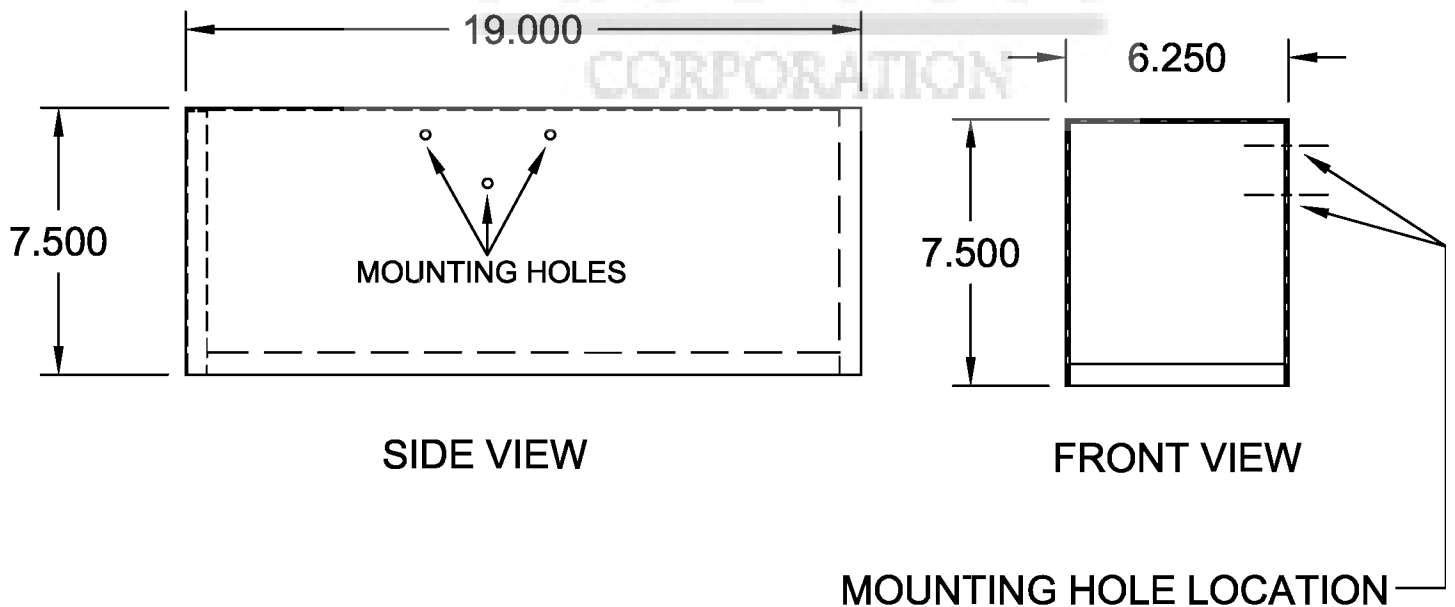
- 12390-1 WHITE
- 12390-2 BLACK
- 12390-3 GREEN
- 12394 STAINLESS STEEL

WEIGHT= Approx. 12 lbs.

NEWSPAPER BOX FOR MOUNTING WITH MAILBOX



FOLDED FLAT EDGES



CUSTOMER APPROVAL :

DATE :



THIS DRAWING, WHICH CONTAINS PROPRIETARY INFORMATION, IS THE PROPERTY OF JAMESTOWN ADVANCED PRODUCTS CORPORATION. IT SHALL NOT BE REPRODUCED IN ANY MANNER NOR DISCLOSED TO THIRD PARTIES WITHOUT WRITTEN PERMISSION OF JAMESTOWN ADVANCED PRODUCTS CORPORATION.

DATE : 05/17/04

PRODUCT PART NUMBER : 12390, 12394

REV. NO.

PRODUCT DESCRIPTION :
 NEWSPAPER BOX FOR MAILBOX

2855 GIRTS ROAD
 JAMESTOWN, NY 14701