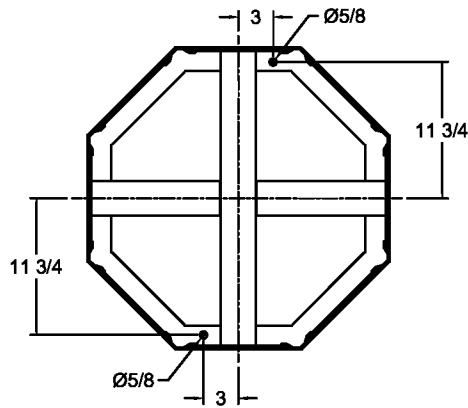
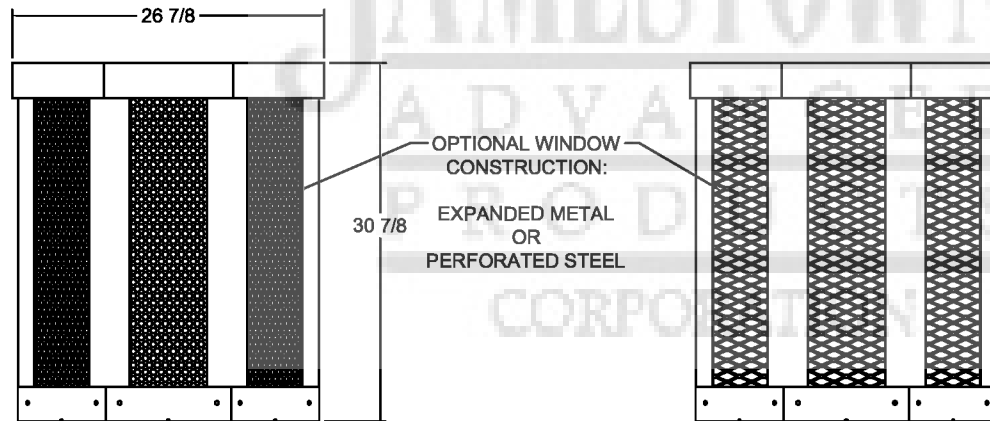


OCTAGONAL 32 GAL. TRASH RECEPTACLE HOLDER MODELS # 12886 & 12941



COVER REMOVED
(ANCHOR HOLES IN BASE SHOWN)

- Trash Receptacle has a 32 gallon capacity.
- Receptacle is built using 8 side panel window assemblies, a base with supporting cross members, 8 vertical supports and a cover.
- Product will be shipped knocked down to reduce freight costs.
- Theft deterrent cable provided for attaching Cover to main body.
- Choose 1 of 2 window assemblies, either expanded or perforated steel.
- All assembly hardware to be included.
- Receptacle will be Powder Coated, customer may choose 1 of 4 available colors. Custom colors available at additional expense.
- Anchor holes in base can be used to secure the trash receptacle in place. (Anchor bolts not included)
- Approximate weights:
With Expanded Steel Window Option = 87 lbs
With Perforated Steel Window Option = 94 lbs



PART NUMBER	RECEPTACLE HOLDER DESCRIPTION
12886	PERFORATED STEEL WINDOWS
PART NUMBER SUFFIX	QTY.
-1 (OCTAGONAL PERFORATED STEEL, POWDER COAT - BLACK)	
-2 (OCTAGONAL PERFORATED STEEL, POWDER COAT - BROWN)	
-3 (OCTAGONAL PERFORATED STEEL, POWDER COAT - GRAY)	
-4 (OCTAGONAL PERFORATED STEEL, POWDER COAT - GREEN)	

PART NUMBER	RECEPTACLE HOLDER DESCRIPTION
12941	EXPANDED STEEL WINDOWS
PART NUMBER SUFFIX	QTY.
-1 (OCTAGONAL EXPANDED STEEL, POWDER COAT - BLACK)	
-2 (OCTAGONAL EXPANDED STEEL, POWDER COAT - BROWN)	
-3 (OCTAGONAL EXPANDED STEEL, POWDER COAT - GRAY)	
-4 (OCTAGONAL EXPANDED STEEL, POWDER COAT - GREEN)	

RECEPTACLE WILL ACCEPT A 21" DIA x 27" TALL WASTE RECEPTACLE.

CUSTOMER APPROVAL :

DATE :

JAMESTOWN
ADVANCED
PRODUCTS
CORPORATION

THIS DRAWING, WHICH CONTAINS PROPRIETARY INFORMATION, IS THE PROPERTY OF JAMESTOWN ADVANCED PRODUCTS CORPORATION. IT SHALL NOT BE REPRODUCED IN ANY MANNER NOR DISCLOSED TO THIRD PARTIES WITHOUT WRITTEN PERMISSION OF JAMESTOWN ADVANCED PRODUCTS CORPORATION.

DATE : 09-18-07

PRODUCT PART NUMBER : 12886 (-1 THRU -4)
12941 (-1 THRU -4)

REV. NO.

PRODUCT DESCRIPTION :
OCTAGONAL 32 GAL. TRASH RECEPT. HOLDER

2855 GIRTS ROAD
JAMESTOWN, NY 14701

PHONE 800-452-0639 -- FAX 716-483-5398 -- WWW.JAMESTOWNADVANCED.COM