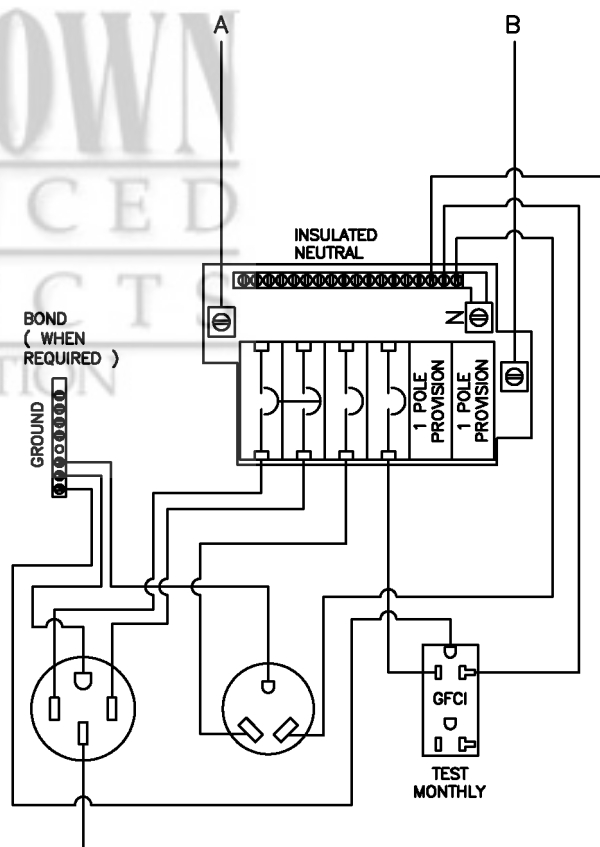


UL Listed, NEMA type 3R rainproof enclosure.
 One piece construction from G90 galvanized steel.
 All surfaces have electrostatic gray powder coated finish.
 120/240 volt single phase, 125 Amp.
 Suitable for campground / RV and temporary service.
 Commercial quality receptacles.
 Tin plated copper stabs standard.
 All units factory wired.
 All units standard with hub openings, closure plate included.
 All 9" boxes are 9.125" wide.

Please review the diagrams and sign
 and date below. All drawings are
 the property of Jamestown
 Advanced Products. Distribution of
 drawings without the consent of
 Jamestown Advanced Products is
 prohibited



CUSTOMER APPROVAL :

DATE :

JAMESTOWN
ADVANCED
PRODUCTS
 CORPORATION

THIS DRAWING, WHICH CONTAINS PROPRIETARY INFORMATION, IS THE PROPERTY OF JAMESTOWN
 ADVANCED PRODUCTS CORPORATION. IT SHALL NOT BE REPRODUCED IN ANY MANNER NOR
 DISCLOSED TO THIRD PARTIES WITHOUT WRITTEN PERMISSION OF JAMESTOWN ADVANCED
 PRODUCTS CORPORATION.

DATE : 3/09/04

PRODUCT PART NUMBER : 21-123

REV. NO.

PRODUCT DESCRIPTION :
 9" WIDE UTILITY BOX, 50-30-20

2855 GIRTS ROAD
 JAMESTOWN, NY 14701

PHONE 800-452-0639 -- FAX 716-483-5398 -- WWW.JAMESTOWNADVANCED.COM