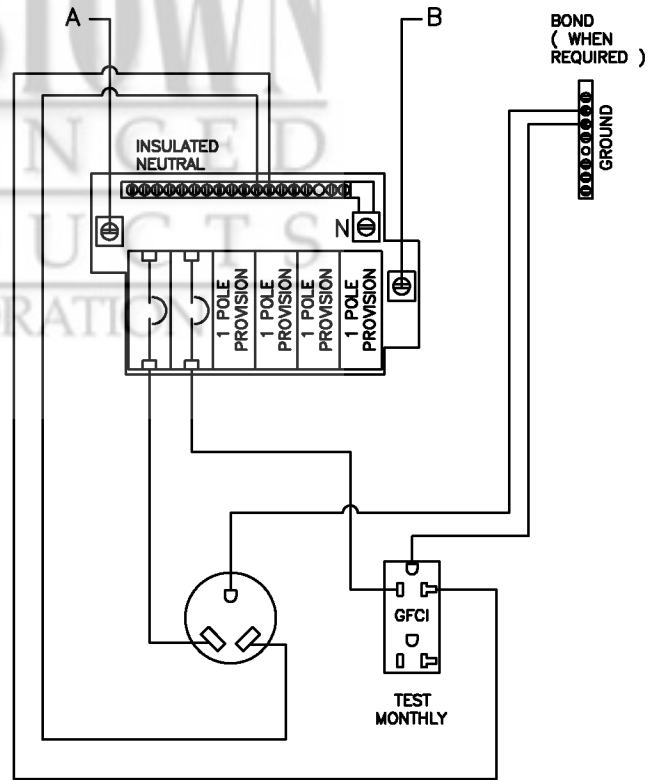


UL Listed, NEMA type 3R rainproof enclosure.  
 One piece construction from G90 galvanized steel.  
 All surfaces have electrostatic gray powder coated finish.  
 120/240 volt single phase, 125 Amp.  
 Suitable for campground / RV and temporary service.  
 Commercial quality receptacles.  
 Tin plated copper stabs standard.  
 All units factory wired.  
 All units standard with hub openings, closure plate included.  
 All 9" boxes are 9.125" wide.

Please review the diagrams and sign  
 and date below. All drawings are  
 the property of Jamestown  
 Advanced Products. Distribution of  
 drawings without the consent of  
 Jamestown Advanced Products is  
 prohibited



CUSTOMER APPROVAL :

DATE :



THIS DRAWING, WHICH CONTAINS PROPRIETARY INFORMATION, IS THE PROPERTY OF JAMESTOWN  
 ADVANCED PRODUCTS CORPORATION. IT SHALL NOT BE REPRODUCED IN ANY MANNER NOR  
 DISCLOSED TO THIRD PARTIES WITHOUT WRITTEN PERMISSION OF JAMESTOWN ADVANCED  
 PRODUCTS CORPORATION.

DATE : 5/04/05

PRODUCT PART NUMBER : 21-23

REV. NO.

PRODUCT DESCRIPTION :  
 9" WIDE UTILITY BOX, 30-20

2855 GIRTS ROAD  
 JAMESTOWN, NY 14701