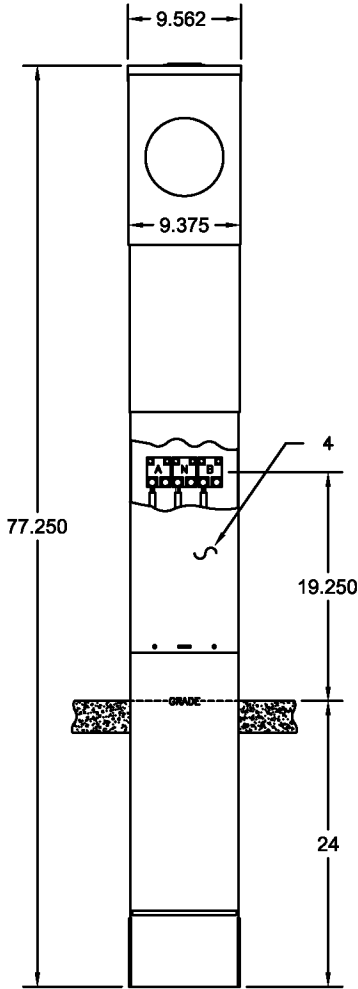


NOTES :

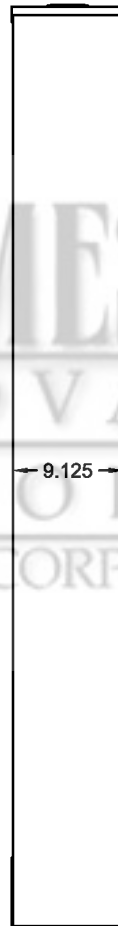
- 1) Construction :UL Listed, NEMA type 3R, G90 galvanized gray powder coated earth mounted pedestal.
- 2) All receptacles to be Pass & Seymour commercial grade. All conductors are copper. Bus bars are plated copper.
- 3) Factory installed Loop feed distribution center has dual 350 kcmil – #6 AWG lugs per face for easy installation.
- 4) Loop feed ground lug factory installed for 1/0 – #14 AWG.



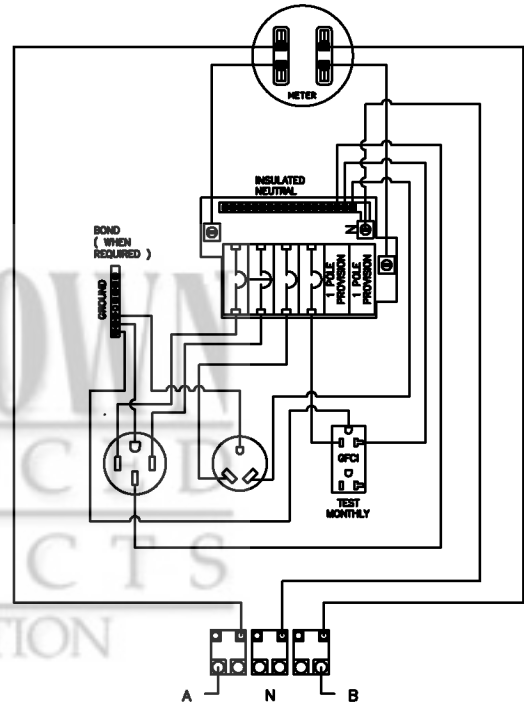
FRONT VIEW



SIDE VIEW



VIEW FROM BACKSIDE



PLEASE REVIEW THE DIAGRAMS AND SIGN AND DATE BELOW. ALL DRAWINGS ARE THE PROPERTY OF JAMESTOWN ADVANCED PRODUCTS. DISTRIBUTION OF DRAWINGS WITHOUT THE CONSENT OF JAMESTOWN ADVANCED PRODUCTS IS PROHIBITED.

CUSTOMER APPROVAL :

DATE :



THIS DRAWING, WHICH CONTAINS PROPRIETARY INFORMATION, IS THE PROPERTY OF JAMESTOWN ADVANCED PRODUCTS CORPORATION. IT SHALL NOT BE REPRODUCED IN ANY MANNER NOR DISCLOSED TO THIRD PARTIES WITHOUT WRITTEN PERMISSION OF JAMESTOWN ADVANCED PRODUCTS CORPORATION.

DATE : 3/09/04

PRODUCT PART NUMBER : 26(RL or RT)-123

REV. NO.

PRODUCT DESCRIPTION :
9" WIDE UTILITY BOX, 50-30-20
PEDESTAL WITH METER

2855 GIRTS ROAD
JAMESTOWN, NY 14701