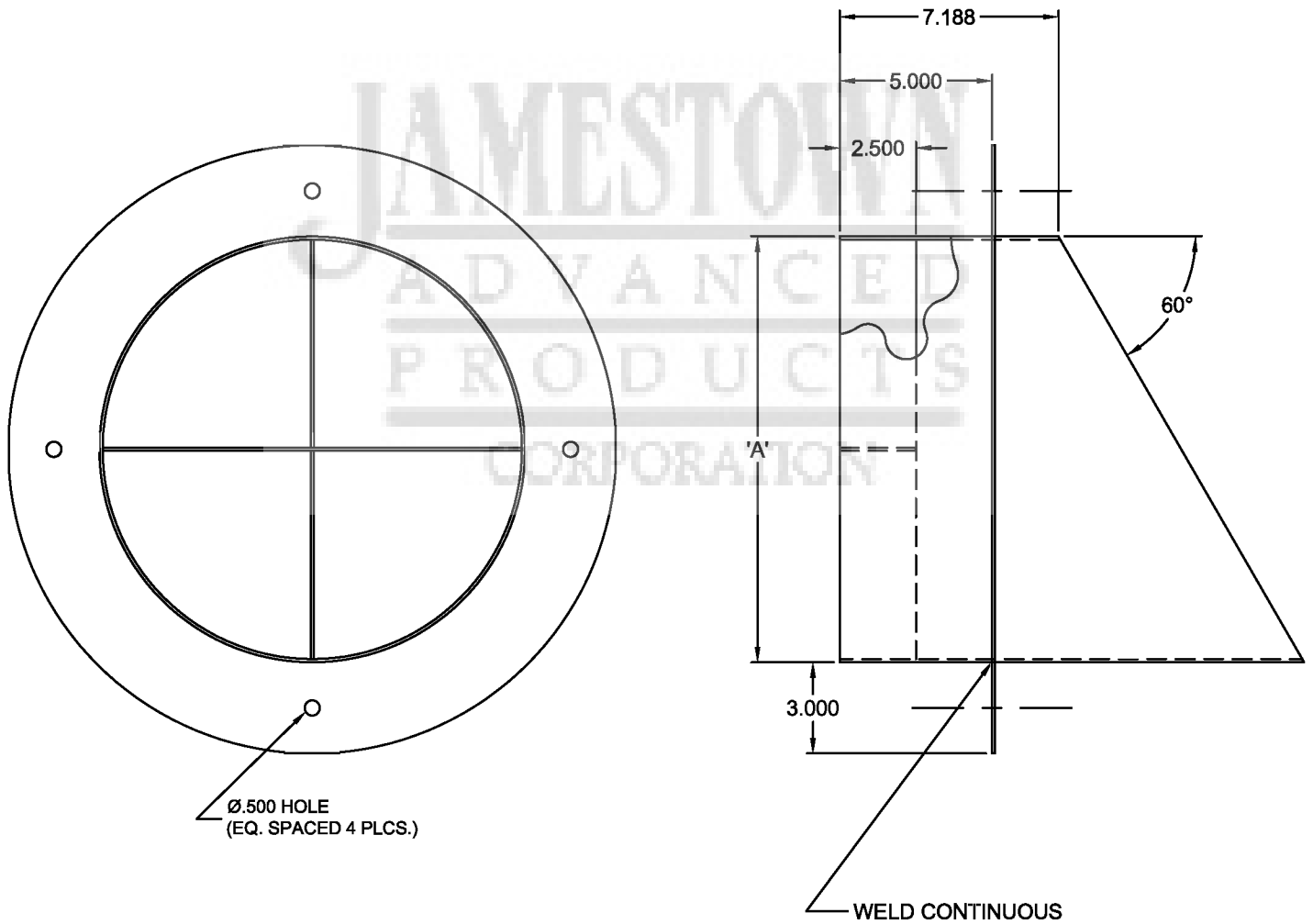


DIM 'A'	THICKNESS OF BODY & FLANGE
14.000	12 GA.
8.625	16 GA.
6.625	16 GA.
4.500	16 GA.



CUSTOMER APPROVAL :

DATE :

JAMESTOWN
ADVANCED
PRODUCTS
CORPORATION

THIS DRAWING, WHICH CONTAINS PROPRIETARY INFORMATION, IS THE PROPERTY OF JAMESTOWN ADVANCED PRODUCTS CORPORATION. IT SHALL NOT BE REPRODUCED IN ANY MANNER NOR DISCLOSED TO THIRD PARTIES WITHOUT WRITTEN PERMISSION OF JAMESTOWN ADVANCED PRODUCTS CORPORATION.

DATE : 4-9-01

PRODUCT PART NUMBER : Z-199-75

REV. NO.

PRODUCT DESCRIPTION :
DOWNSPOUT NOZZLE

2855 GIRTS ROAD
JAMESTOWN, NY 14701